


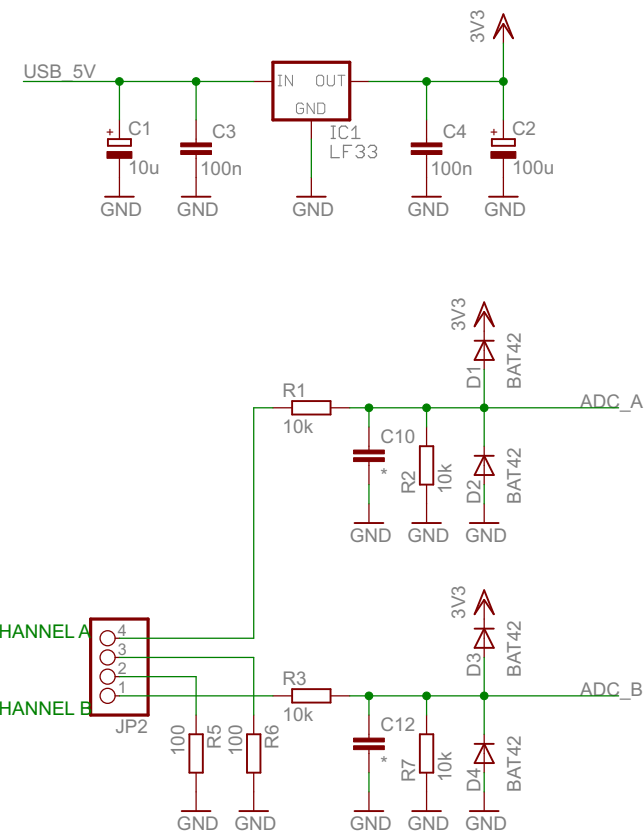


-  H1 MOUNT-PAD-ROUND3.0
-  H2 MOUNT-PAD-ROUND3.0
-  H3 MOUNT-PAD-ROUND3.0
-  H4 MOUNT-PAD-ROUND3.0



Dual-channel STM32 PC/USB low speed oscilloscope http://tomeko.net	
TITLE: miniscope_v2c	
Document Number:	REV:
Date: 2012-04-16 22:12:10	Sheet: 1/1